

# LCD DIGITAL PANEL METERS

MINI, low-cost Bezel Mount 3½ Digit LCD Display



**High Contrast Mini  
Snap-in Bezel Mount (Actual size)**

## Features:

- Low-cost, high-performance miniature snap-in DPM with annunciators
- Snap-in bezel mount eliminates mounting hardware
- Space-saving design: only .5" deep
- Contact factory for many OEM options
- Occupies less than 1.75 X .95 inches of front panel space
- 3½ digits with high-contrast LCD Display
- Extra contrast annunciators and decimal points

## Specifications

|                        |   |
|------------------------|---|
| <b>Display:</b>        |   |
| Digits:                | 3½ digits (±1999 counts)                                  |
| Type:                  | 0.38" (9 mm) high-contrast reflective LCD                 |
| Polarity:              | Automatic, "-" displayed                                  |
| Decimal Points:        | 3 position, user selectable                               |
| Annunciators:          | BAT, °C, °F, -, m, μ, MΩ, KΩ, V, A, HOLD, user selectable |
| Overload:              | Three lower order digits blank for inputs >1999 & <-1999  |
| Hold:                  | Available OEM option, contact factory                     |
| <b>Inputs:</b>         |   |
| Ranges:                | ±200.0mV, ±2.000V   |
| Configuration:         | Bipolar Differential                                      |
| Protection:            | ±350V DC, (±100V DC on 200mV range)                       |
| Impedance:             | >10 Megohm, (>1 Megohm on 20V range)                      |
| <b>Performance:</b>    |   |
| Accuracy:              | ±(0.1% + 1 count) typical<br>±(0.1% + 2 counts) maximum   |
| Conversion Rate:       | 2.5 per second  |
| Normal Mode Rejection: | >30 db @ 60 Hz  |
| Common Mode Range:     | ±1V DC  |
| Common Mode Rej.:      | >86 dB  |
| Zero Adjustment:       | Automatic   |
| Warmup:                | 10 minutes typical  |
| Temperature Coeff.:    | ± 100 ppm per °C typical                                  |
| <b>Environment:</b>    |   |
| Operating Range:       | 0 to 50 °C  |
| Storage Range:         | -20 to 70 °C  |
| <b>Power Supply:</b>   |   |
| 5V powered DPM:        | +5V DC at 5 mA  |
| 9V powered:            | +9V DC at 300 μA  |
| <b>Mounting:</b>       |   |
|                        | Snap-In Bezel Mount                                       |
| <b>Connection:</b>     |   |
|                        | 26 pins, in 2 rows  |

## Ordering Information:

### Miniature LCD DPM Part Numbering

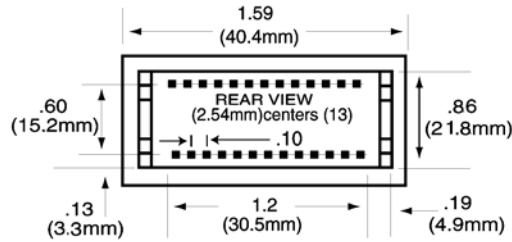
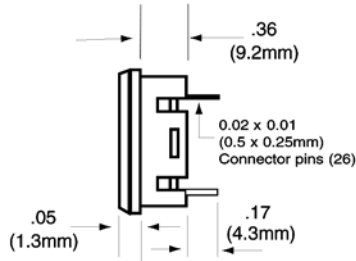
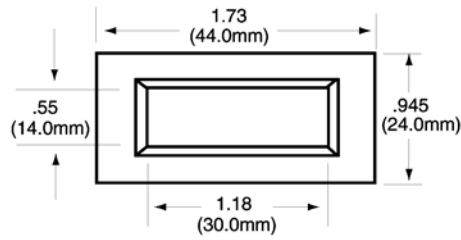
|              |  |
|--------------|--|
| <b>DK201</b> | .....200mV range, 5V, mini LCD DPM, Differential Input   |
| <b>DK202</b> | .....2V range, 5V, mini LCD DPM, Differential Input .... |
| <b>DK203</b> | .....200mV range, 9V, mini LCD DPM, Differential Input   |
| <b>DK204</b> | .....2V range, 9V, mini LCD DPM, Differential Input      |

**PW2-5**.....Regulated 120V AC to 5V DC Adaptor .....



**C-Ton Industries** • PO Box 10129 • Bedford, NH, 03110 • USA  
03110-0129

# Dimensions



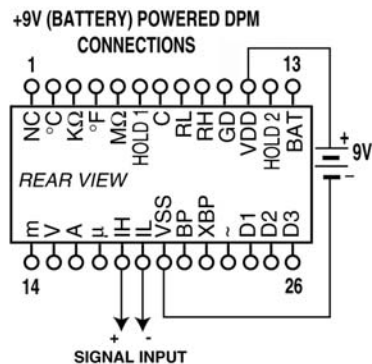
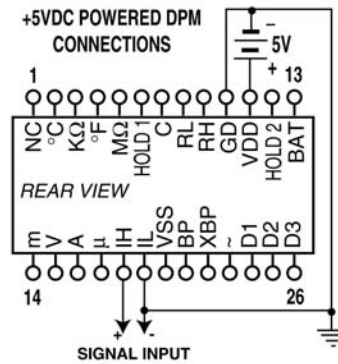
## CONNECTION DESCRIPTIONS

| PIN# | 26 PIN | DESCRIPTION                        |
|------|--------|------------------------------------|
| 1    |        | NO CONNECTION                      |
| 2    | °C     | ANNUNCIATOR                        |
| 3    | KΩ     | ANNUNCIATOR                        |
| 4    | °F     | ANNUNCIATOR                        |
| 5    | MΩ     | ANNUNCIATOR                        |
| 6    | HOLD1  | CONNECT TO VDD TO HOLD DISPLAY     |
| 7    | C      | ANALOG COMMON                      |
| 8    | RL     | REFERENCE LOW TERMINAL             |
| 9    | RH     | REFERENCE HIGH TERMINAL            |
| 10   | GD     | NEG POWER SUPPLY FOR 5V DPMS       |
| 11   | VDD    | POSITIVE DPM POWER SUPPLY          |
| 12   | HOLD2  | "HOLD" ANNUNCIATOR                 |
| 13   | BAT    | ANNUNCIATOR                        |
| 14   | m      | ANNUNCIATOR                        |
| 15   | V      | ANNUNCIATOR                        |
| 16   | A      | ANNUNCIATOR                        |
| 17   | μ      | ANNUNCIATOR                        |
| 18   | IH     | POSITIVE INPUT SIGNAL              |
| 19   | IL     | NEGATIVE INPUT SIGNAL              |
| 20   | VSS    | NEG POWER SUPPLY FOR 9V            |
| 21   | BP     | LCD BACKPLANE                      |
| 22   | XBP    | ANNUNCIATOR & DECIMAL POINT DRIVER |
| 23   | ~      | ANNUNCIATOR                        |
| 24   | D1     | 1.XXX                              |
| 25   | D2     | 1X.XX                              |
| 26   | D3     | 1XX.X                              |

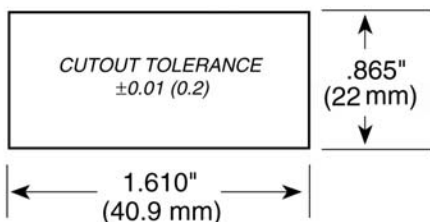
} DECIMAL POINT

## MINI 26-PIN DPM CONNECTIONS

CAUTION: Confirm Part Number to Assure Correct Wiring For Signal Input and Power Supply.



## PANEL CUTOUT



## NOTES:

- INPUT MUST BE ISOLATED FROM SUPPLY ON 9V POWERED DPM.
- DISPLAY HOLDS READING WHEN "HOLD1" IS HIGH (CONNECTED TO "VDD"). READINGS ARE UPDATED WHEN OPEN. (OPTIONAL)
- INPUT COMMON MODE RANGE IS ±1 V DC ON +5V POWERED DPMS.
- TO TURN ON DECIMAL POINTS OR ANNUNCIATORS, CONNECT TO "XBP".